

Cable chain

Science and Technology create a better life

Company: Wuxi Komay Electric Equipment Co. Ltd
Web: www.komary.com.cn www.komay.com.cn
Tel: 86-510-88227833
Fax: 86-51088227834
E-mail: marketing@komay.com.cn



CHAIN MATERIAL: REINFORCED NYLON



LOW NOISE



LOW MOTE






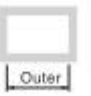

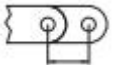


APPLICATION: GANTRY ROBOT, MACHINING CENTER, TEXTILE MACHINE, WELDING MACHINE, FEEDER UNITE, ASSEMBLY LOADER, WOOD WORK MACHINE, FABRIC MACHINE



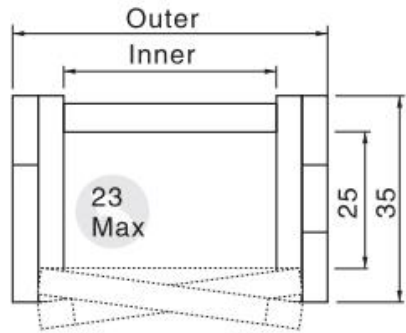
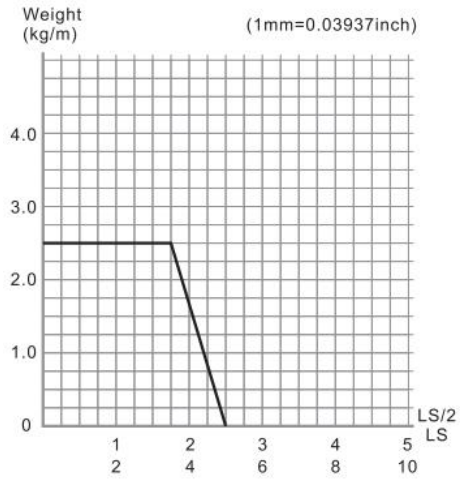
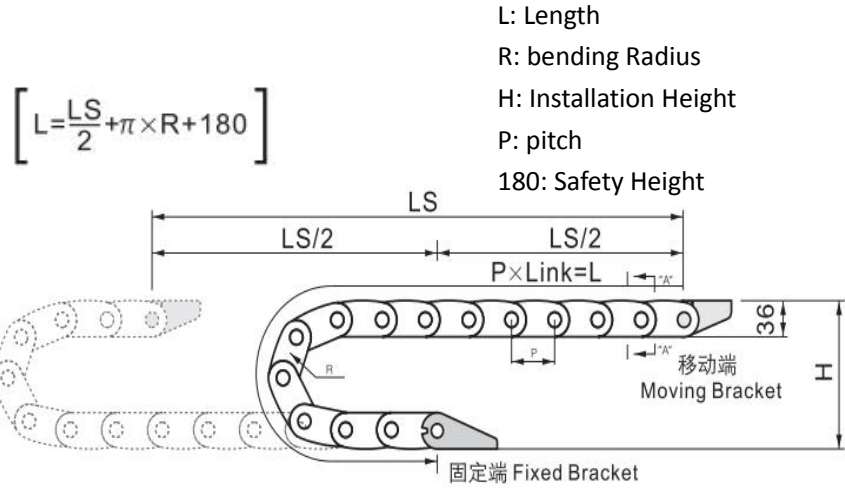
TEMPERATURE: -30°C~+130°C



SPEED: 10M/SEC

Series	Inner high (mm) 	Inner width (mm) 	Outer high (mm) 	Outer width (mm) 	Bending Radius (mm) 	Pitch (mm) 	Overhead Max Length (m) 	Max stroke(m) 
K25	25	38 57 77 103	40	58 77 97 123	38 55 75 100 125	45	2.8	100
K38	38	50 75 100 125 150 175 200 250	57	77 102 127 152 177 202 227 277	75 100 125 150 200 250	56	3.5	150
K49	49	50 75 100 125 150 175 200 250 300	67	78 103 128 153 178 203 228 278 328	100 125 150 200 250 300	67	4.5	150
K55	55	100 125 150 200 250 300 350 400	75	131 156 181 231 281 331 381 431	100 125 150 200 250 300 350 400	91	5	180
K65	65	100 125 150 200 250 300 350 400	85	134 159 184 234 284 334 384 434	100 125 150 200 250 300 350 400	91	5	200
K80	80	100 125 150 200 250 300 350 400	106	144 169 194 244 294 344 394 444	100 125 150 200 250 300 350 400	91	5	200

Length Calculation

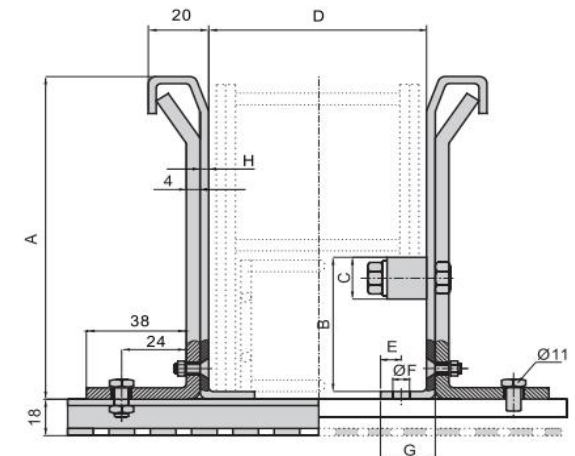
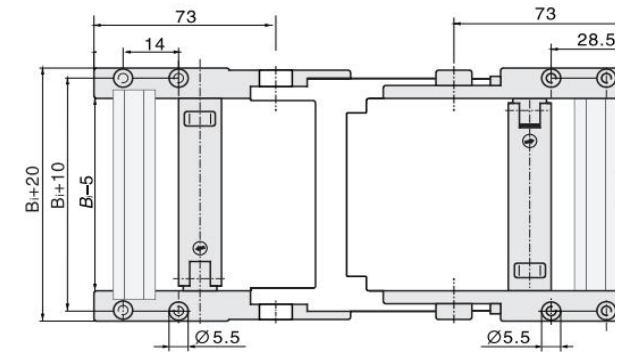


series	Inner high (mm)	Inner Width (mm)	Radius (mm)	Pitch (mm)
K2500	25	38	38 55 75 100 125	45
	25	57		
	25	77		
	25	103		

Fixed Bracket



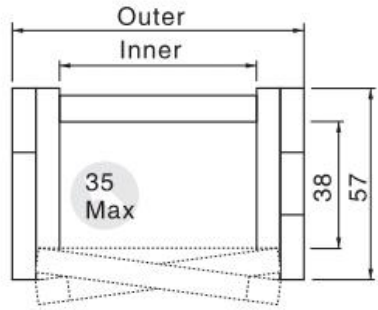
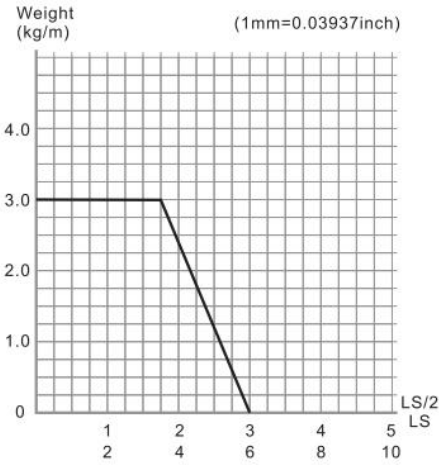
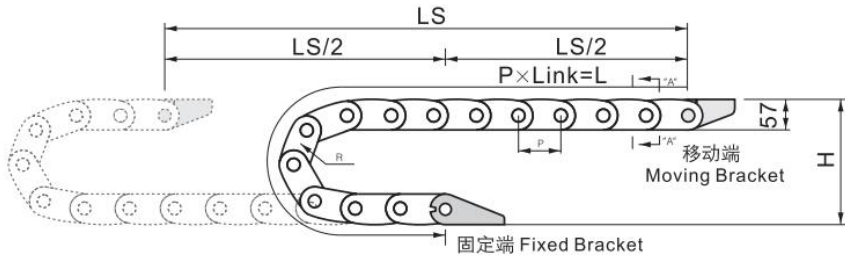
Moving Bracket



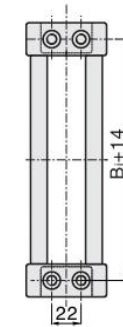
Length Calculation

L: Length
R: bending Radius
H: Installation Height
P: pitch
224: Safety Height

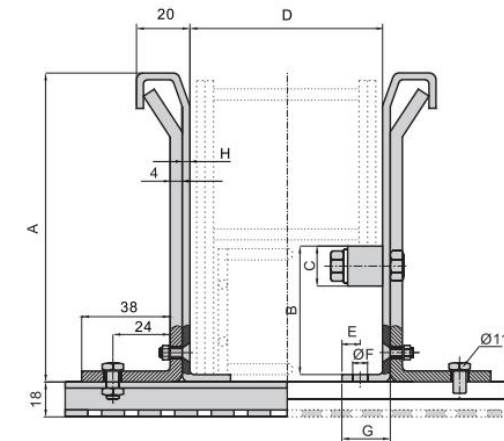
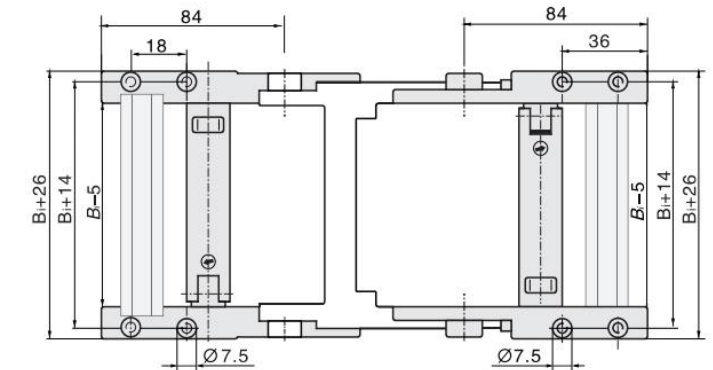
$$L = \frac{LS}{2} + \pi \times R + 224$$



Fixed Bracket



Moving Bracket

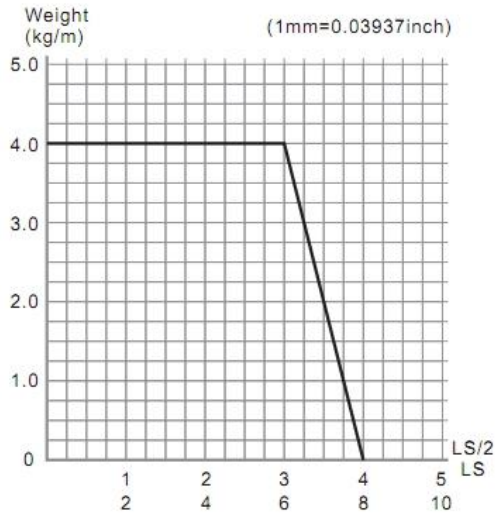
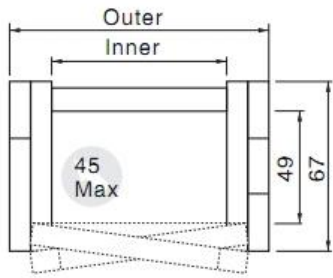
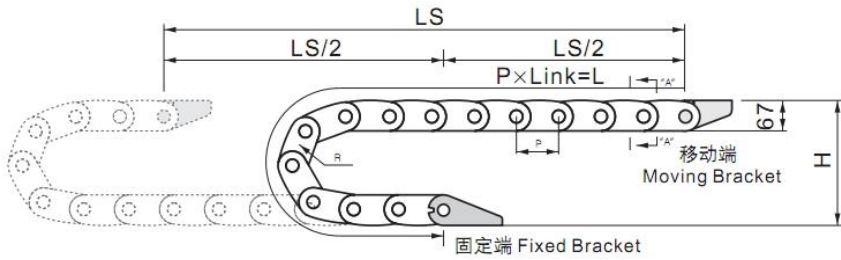


series	Inner high (mm)	Inner Width (mm)	Radius (mm)	Pitch (mm)
K3800	38	50	75 100 125 150 200 250	56
	38	75		
	38	100		
	38	125		
	38	150		
	38	175		
	38	200		
	38	250		

Length Calculation

L: Length
R: bending Radius
H: Installation Height
P: pitch
268: Safety Height

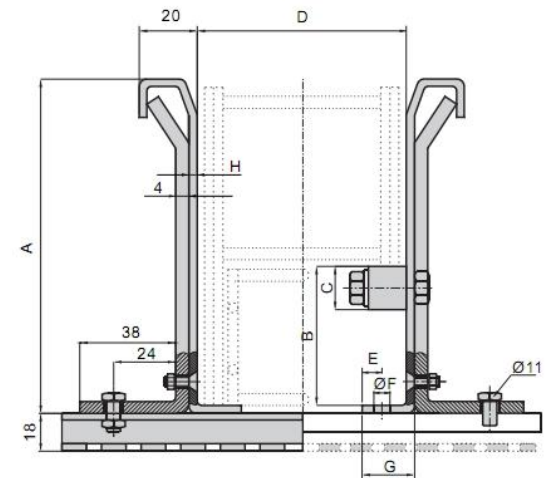
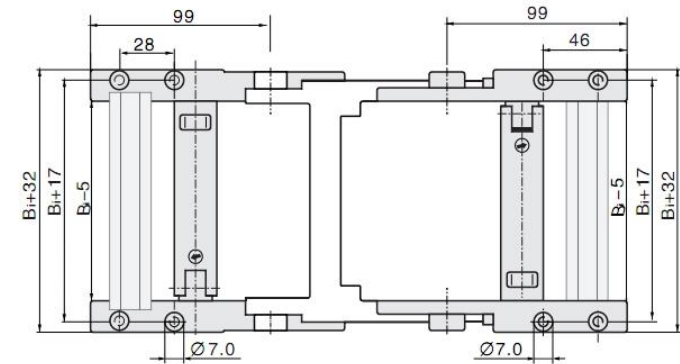
$$L = \frac{LS}{2} + \pi \times R + 268$$



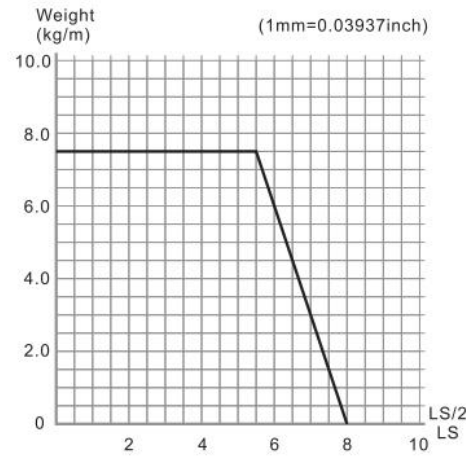
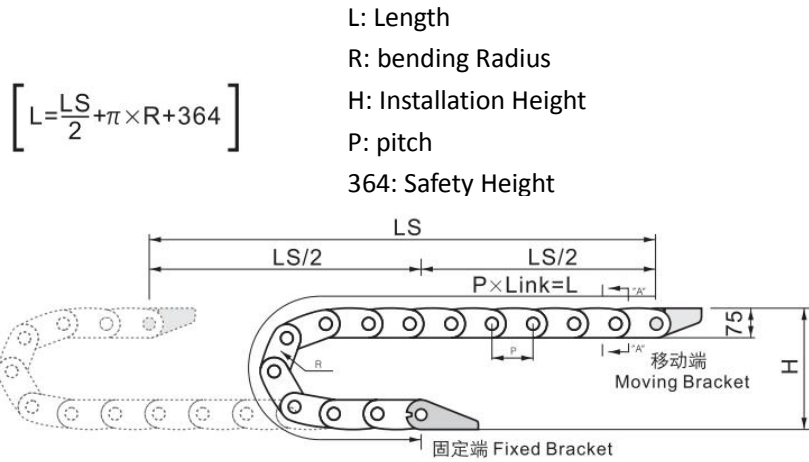
Fixed Bracket



Moving Bracket



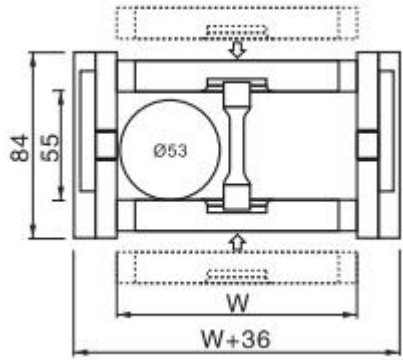
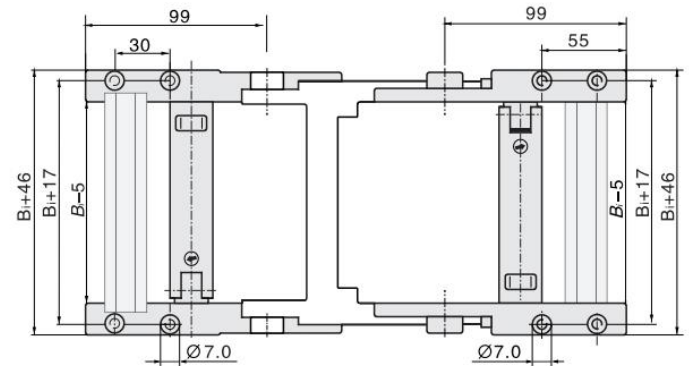
series	Inner high (mm)	Inner Width (mm)	Radius (mm)	Pitch (mm)
K4900	49	50	100 125 150 200 250 300	67
	49	75		
	49	100		
	49	125		
	49	150		
	49	175		
	49	200		
	49	300		



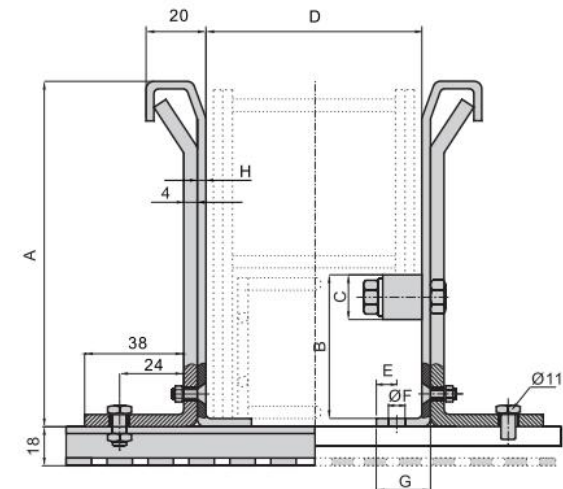
Fixed Bracket



Moving Bracket



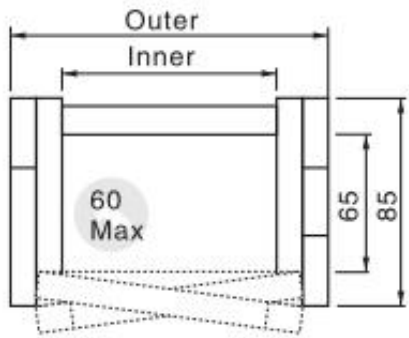
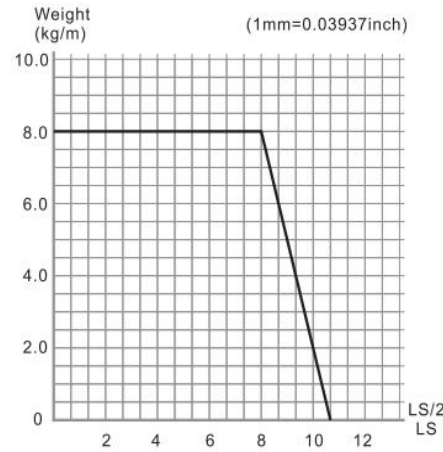
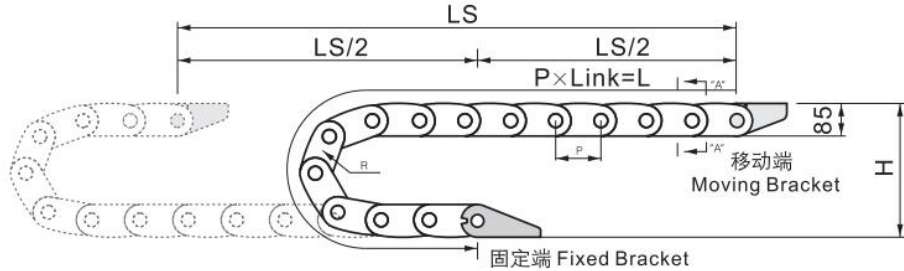
series	Inner high (mm)	Inner Width (mm)	Radius (mm)	Pitch (mm)
K5500	55	100	100 125 150 200 250 200 350 400	91
	55	125		
	55	150		
	55	200		
	55	250		
	55	300		
	55	350		
	55	400		



Length Calculation

$$L = \frac{LS}{2} + \pi \times R + 364$$

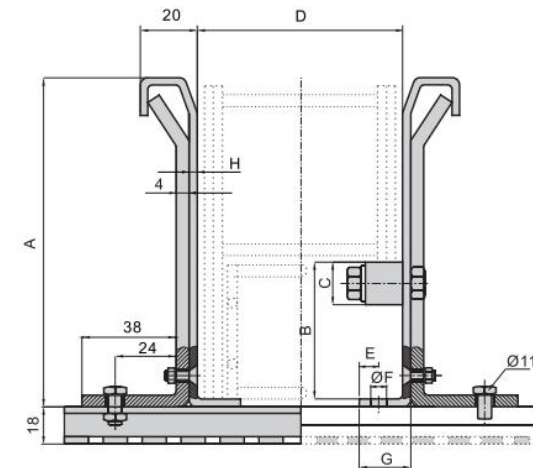
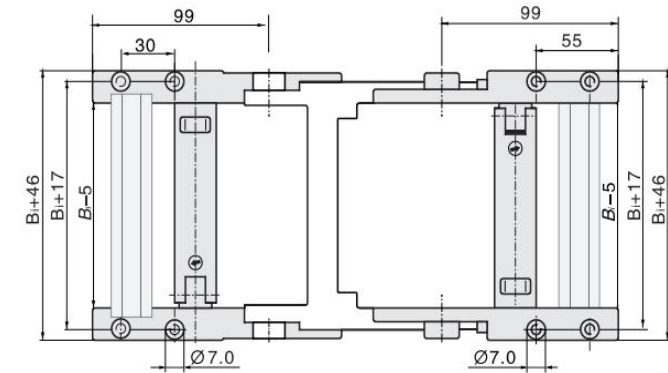
L: Length
R: bending Radius
H: Installation Height
P: pitch
364: Safety Height



Fixed Bracket



Moving Bracket

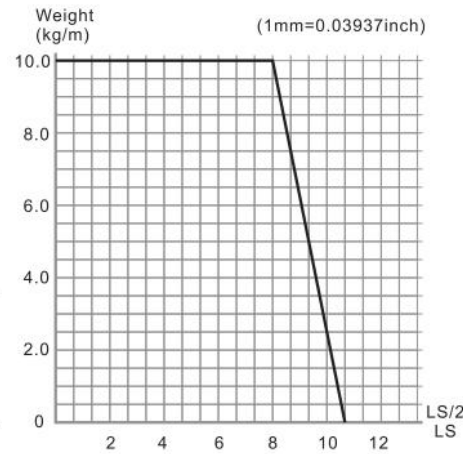
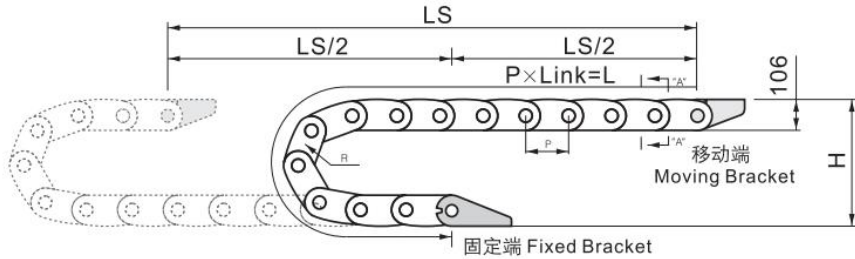


series	Inner high (mm)	Inner Width (mm)	Radius (mm)	Pitch (mm)
K6500	65	100	100 125 150 200 250 300 350 400	91
	65	125		
	65	150		
	65	200		
	65	250		
	65	300		
	65	400		

Length Calculation

L: Length
R: bending Radius
H: Installation Height
P: pitch
364: Safety Height

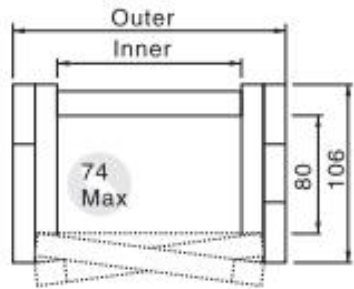
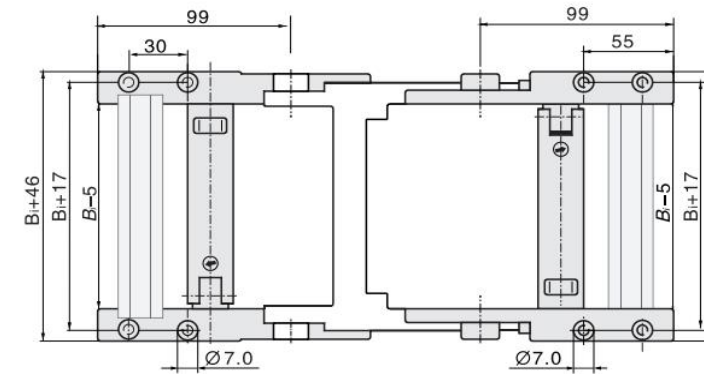
$$L = \frac{LS}{2} + \pi \times R + 364$$



Fixed Bracket



Moving Bracket



series	Inner high (mm)	Inner Width (mm)	Radius (mm)	Pitch (mm)
K8000	80	100	100 125 150 200 350 300 350 400	91
	80	125		
	80	150		
	80	200		
	80	250		
	80	300		
	80	350		
	80	400		

